



**FITTING INSTRUCTIONS**

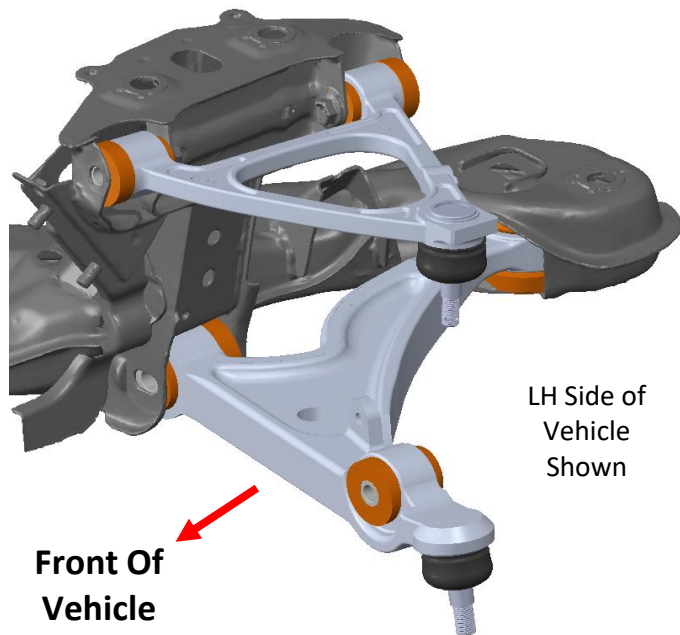
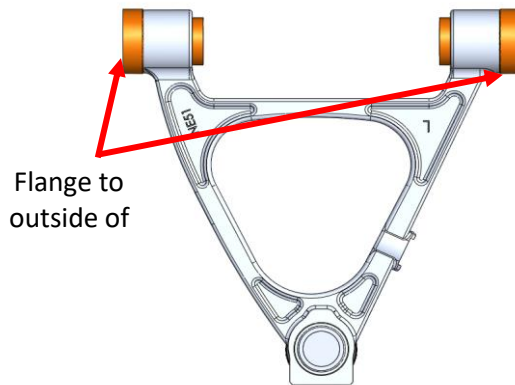
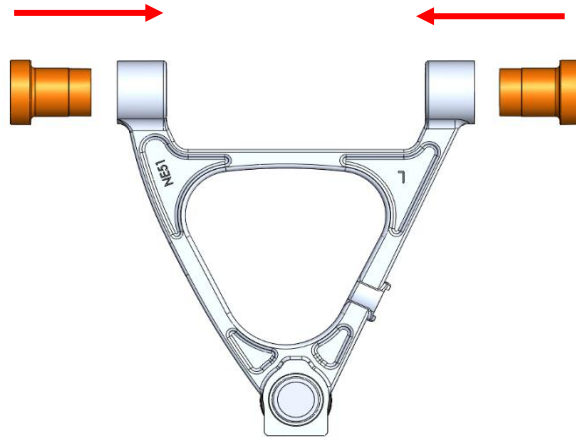
**27M - Front Upper Wishbone Bush**

**Step 1:**  
Remove existing bushes and ensure the bore is clear of debris and sharp edges.

**Step 2:**  
Apply some washing-up liquid or similar to the bore of the bush.

**Step 3:**  
Fit the bush from the outside to the inside of the wishbone on either side.  
**NOTE:** The flanges **must** be on the outside of the wishbone as shown in the diagram.

**Step 4:**  
Refit control arms to vehicle and when at ride height, torque to manufacturers spec.



If you have any questions regarding the fitment of these bushes, please give us a ring on 01978 664316 or send us an e-mail at [sales@polybush.co.uk](mailto:sales@polybush.co.uk).