



## FITTING INSTRUCTIONS

### 27S & 27U

#### Step 1:

Remove existing bushes and ensure the bore is clear of debris and sharp edges.

#### Step 2:

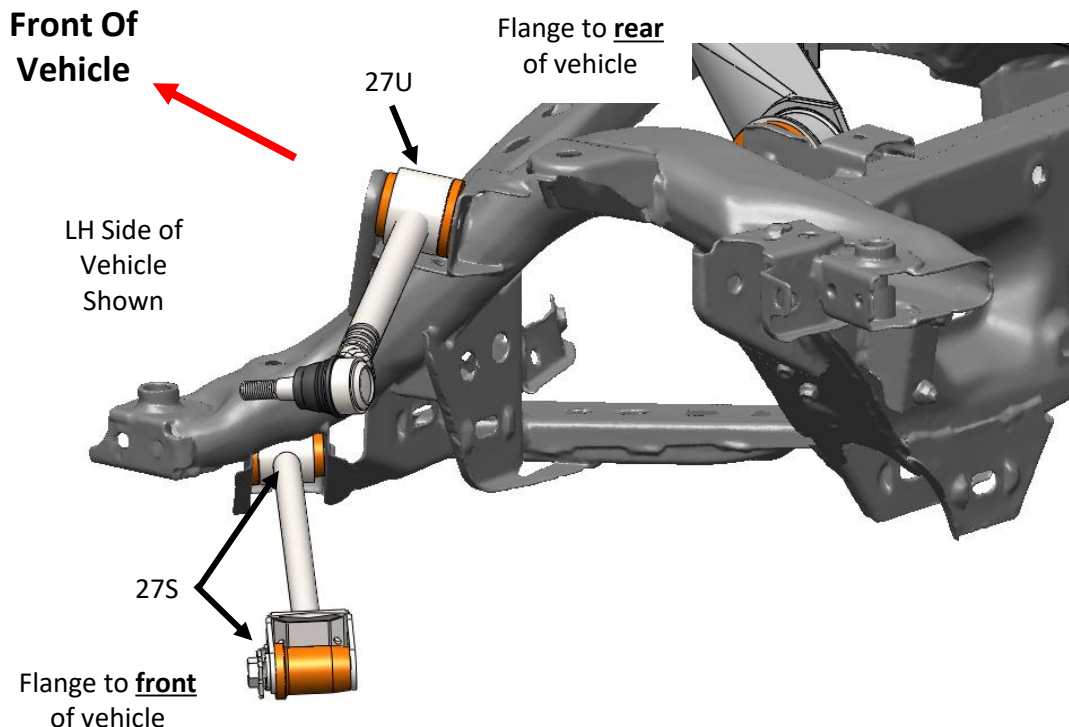
27S is fitted to the Trailing Link Arm. OEM Part No. NE5128200A & into the Upright.  
Both of these bushes should be fitted from the front of the vehicle to the rear. I.e. the Flange side should be towards the front of the vehicle.

#### Step 3:

27U is fitted into the Upper Trailing Link. OEM Part No's NE5128D00B & NE5128D10B.  
This bush should be fitted from the rear of the car towards the front. I.e. the Flange should be towards the rear of the car.

#### Step 4:

Refit control arms to vehicle and when at ride height, torque to manufacturers spec.



If you have any questions regarding the fitment of these bushes, please give us a ring on 01978 664316 or send us an e-mail at [sales@polybush.co.uk](mailto:sales@polybush.co.uk).