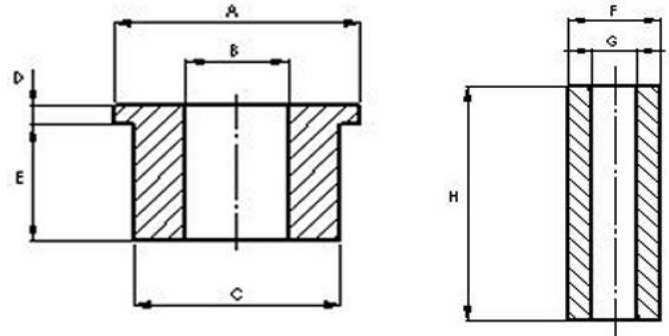


# Polybush Range List

## Top Hat Bushes & Tubes 1

Last updated April 2014



### Top Hat Dimensions

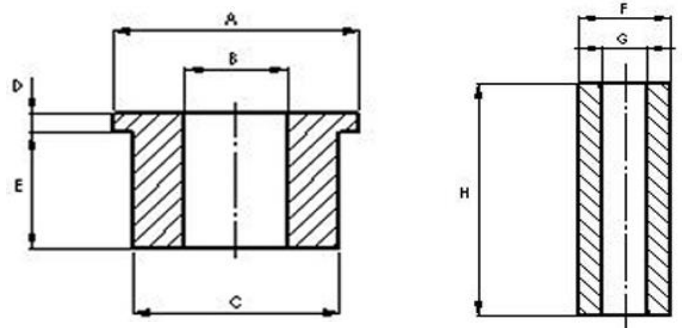
### Tube Dimensions

Part No	A Flange o/d	B Bore inner Dia	C Barrel outer dia	D Flange thickness	E Barrel Length	F Tube o/d	G Tube Bore	H Tube Length	No of Top Hats in Partset	No of Tubes in Partset	Retail Price per Partset
11-6-13	47	22	38	4	20	22	14	50	4	2	£27.54
12-1	70	22	60	4	20	22.2	16.1/16.2	50	8	4	£41.92
12-3	58	20	50	6	23	20.64	14.1/14.2	60	16	8	£83.07
12-4	51	20	44.5	4	19	20.64	14.1/14.2	48	4	2	£17.59
12-5	51	34	44.5	4	19	26	34.1	48	4	2	£17.14
1-1-2	76	25	66	7	27	25.4	16.1/16.2	70	8	4	£50.55
1-1-4	80	25	70.5	9	25	25.4	16.1/16.2	70	8	4	£54.05
1-1-21	48.5	22	41	5	16	22	12.1/12.2	43.4	4	2	£33.13
1-3	40	21.5	35	1.5	29	22.23	16.0/16.1	62	4	2	£24.73
1-4	36	19.5	30	3	18	20.64	14.1/14.2	44.5	4	2	£20.22
1-5	33	19	27	5	16	19	12.8/12.9	44.5	4	2	£20.22
1-12	36	20	30	2.5	31	20	14.4/14.5	70	4	2	£18.56
1-13	44	19.5	38	2.5	42.5	20	14.1/14.2	92	4	2	£18.56
1-14	36	19.5	30	2.5	42.5	20	14.1/14.2	92	4	2	£18.56
1-17	51.5	24.5	41	7	19	25.4	19.1/19.2	54	4	2	£25.87
1-19	49	19.5	38	3	38	20	14.4/14.5	83	4	2	£21.01
1-20	49	19.5	38.4	7	40.5	20	14.4/14.5	97	4	2	£21.01
1-24-2	63.5	22	59	8.5	22	22.2	12.0/12.2	65	8	4	£75.96
1-24-5	70	22	60.5	16	30	22.2	16.0/16.2	93.5	4	2	£43.72
1-24-16	45	22	40	5	15.5	22.2	12.1/12.2	40	4	2	£16.88
1-24-26	36	20	30	5	30	20	14.4/14.5	70	16	8	£68.46
20-3	54.5	30	42	6	17.5	N/A	N/A	N/A	1	0	£5.33
22-2	47	17	40	8	25	17.46	12.1/12.2	65	4	2	£19.49
22-3	36	13	30	5	25	N/A	N/A	N/A	8	0	£40.88
22-6	62	17	51.5	10	20	17.46	12.1/12.2	60	16	8	£118.90
22-7	62	17	51.5	7	23.5	17.46	12.1/12.2	65	4	2	£72.83
2-1-1	55	25.5	45	7.5	30	25.4	14.1/14.2	76	2	1	£15.13
2-1-2	55	22	45	7	40.5	22	12.1/12.2	100	2	1	£13.78
2-1-3	55	25.5	46.5	9	29	25.4	12.1/12.2	80	2	1	£14.76
2-2	49.5	30	42	9.5	31	N/A	N/A	N/A	1	0	£7.13
2-3	49	30	41.5	9.5	36	N/A	N/A	N/A	1	0	£7.13
2-18	69	29	58	4	34	30	22	76	2	1	£24.40
2-25	51	24	45	5	35	25.4	16.1/16.2	80	2	1	£17.24
30-8	38	16	26	4.5	20	15.88	12.8/12.9	50.8	4	2	£26.18
20-10	32	31	48	7.5	17.5	32	25.2	50	2	1	£14.85
16-3	37	21.5	32	1.5	13	22	16.1/16.2	29	2	1	£11.67
11-14	64	27.7	49	10.5	48	28	20.1/20.2	112	2	1	£28.18
31-1-10	34.5	15.5	28.5	8	12	16	8.0/8.2	41.3	6	3	£37.01

# Polybush Range List

## Top Hat Bushes & Tubes 2

Last updated April 2014



### Top Hat Dimensions

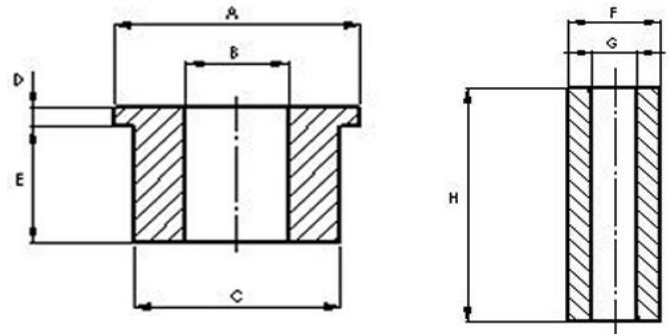
### Tube Dimensions

Part No	A Flange o/d	B Bore inner Dia	C Barrel outer dia	D Flange thickness	E Barrel Length	F Tube o/d	G Tube Bore	H Tube Length	No of Top Hats in Partset	No of Tubes in Partset	Retail Price per Partset
34-11	51	17	43	4.5	18	17.46	12.8/12.9	44.5	4	2	£26.34
34-13	25.5	12.5	22	7	27	N/A	N/A	N/A	8	0	£36.98
3-4	25.5	12.5	21.5	9.5	22	N/A	N/A	N/A	8	0	£33.29
3-8	31	27.5	29	6	20	N/A	N/A	N/A	1	0	£4.88
3-10	29	16	25.5	5	24	N/A	N/A	N/A	1	0	£4.88
3-11	25	12.5	21.5	4	31	N/A	N/A	N/A	1	0	£5.27
3-24-2	25	12.5	21.5	8	19	N/A	N/A	N/A	4	0	£22.00
3-24-4	41	16	35	5	22	16	11.2/11.3	54	4	2	£18.17
3-24-7	38	18	33	7	20	N/A	N/A	N/A	1	0	£7.92
3-24-14	55	16	50	5	19	16	11.2/11.3	50	8	4	£42.09
3-24-18	25	12.5	21.5	4	22	N/A	N/A	N/A	1	0	£5.27
4-1	63	24	50	2.5	37	N/A	N/A	N/A	1	0	£9.33
4-2	37	22	31.5	4	15	N/A	N/A	N/A	1	0	£12.53
4-12	51	24	45	6	30.5	24	16	70	2	1	£20.12
4-13	54	20.5	44	6.5	30	20.64	14.1/14.2	74	2	1	£19.49
4-16	58	25.5	48	4	40	25	16.1/16.2	87	2	1	£15.17
4-17	51.5	25.5	45	5	30.5	25.4	18.1/18.2	72	2	1	£13.01
4-18	51	25.5	45	5	30.5	25.4	16.1/16.2	72	2	1	£14.76
4-20	55	22	45	5	20	22.2	12.1/12.2	56	2	1	£12.39
4-23	53	31.5	42	7.5	19	32	20.1/20.2	53	2	1	£18.78
5-1	50	25	40	3.5	29.5	25.4	19.5	67.8	2	1	£14.24
5-2	49.5	24.5	40	5	37	25.4	19.5	85	2	1	£12.53
5-3	80	25	70	4.5	37	25.4	19.5	85	2	1	£11.99
6-1	47	21	38	6	28	22.23	16.33	72	2	1	£15.02
6-5	59.5	24.5	46	6	28	25.4	20.12	72	2	1	£17.85
7-1	35	18	30	5	28.5	N/A	N/A	N/A	1	0	£5.09
7-2	49	18	40.5	7	38	N/A	N/A	N/A	1	0	£6.04
7-3	35	18	30	5	50.5	N/A	N/A	N/A	1	0	£5.09
7-4	44.5	18	35.5	7	37.5	N/A	N/A	N/A	1	0	£6.04
8-1	39	20	32	3	25	20.64	14.3/14.4	57	2	1	£14.16
8-2	38	20.5	32	2.5	28	20.64	14.3/14.4	62	2	1	£17.66
8-3	47	25	38	5	28	25.4	19.1/19.3	67	2	1	£15.68
8-4	52	28	43	3.5	28	28.0/28.2	22.3/22.5	63.6	2	1	£15.77
8-10	36	20.5	30	2	22	20.64	14.3/14.4	48	2	1	£15.47
8-11	42	20	32	10	17	20.64	14.3/14.4	57	2	1	£14.16
11-6-13	47	21.5	38	4	20	22	14.1/14.2	50	4	2	£27.54
4-25	65	22	45	5	29	22	16/16.1	70	2	1	£21.20

# Polybush Range List

*Top Hat Bushes & Tubes 3*

*Last updated April 2014*



**Top Hat Dimensions**

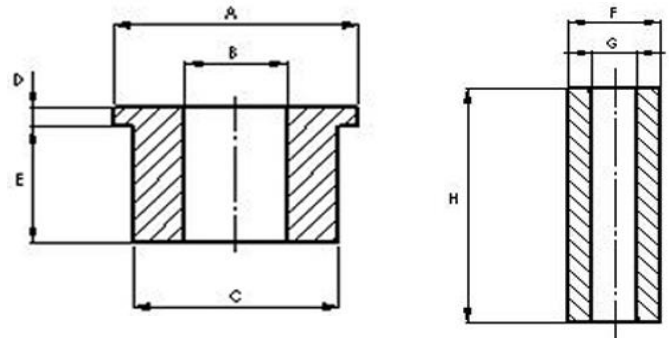
**Tube Dimensions**

Part No	A Flange o/d	B Bore inner Dia	C Barrel outer dia	D Flange thickness	E Barrel Length	F Tube o/d	G Tube Bore	H Tube Length	No of Top Hats in Partset	No of Tubes in Partset	Retail Price per Partset
4-1-5	65	31.5	44.5	5	33	31.75	22.05/22.4	80	2	1	£20.77
3-1-11	28	12.5	22.5	2	24				8	0	£51.21
3-1-10	43	15.7	35	1.5	24	16	11.2/11.3	54	4	2	£38.84
3-1-8	40	15.7	34.5	4	22	16	11.2/11.3	54	4	2	£38.84
3-1-7	31	15.7	25.2	2	23.5	16	11.2/11.3	54	4	2	£38.84
40-20	27	12.5	20.5	7	26				4	0	£19.62
40-19	52	14	40.5	6	29	14	10.1/10.2	74	4	2	£33.19
40-18	58	19	48	3	29.5	19	11.2/11.3	74	4	2	£33.19
40-17	44	19.5	38	3	22	20	12.8/12.9	60	4	2	£33.06
39-2	47	17	40	6	31				1		£6.29
4-1-1	51	25	44.5	5	33.5	25.4	16.1/16.2	80	2	1	£16.02
40-5	58	18.5	48	7	24.5	19	11.2/11.3	66	4	2	£33.19
40-6	52	13.5	40.5	7	24	14	10.1/10.2	66	4	2	£33.19
40-7	27	13.5	20.5	8	26				4	0	£19.62
4-24	65	22	45	5	37	22	16.1/16.2	81	2	1	£21.20
27-22	46	22	40	5	22	22	12.1/12.2	55	4	2	£31.74
27-20	45	25	38	3	25	28	14.1/14.2	60	4	2	£39.21
27-18	36	20	30	8	14.5	20	12.1/12.2	47.5	4	2	£34.35
3-24-3	27	12.5	23	3.5	15.5				4	0	£16.70
17-1-4	37	16	27.5	8	37.5				4	0	£19.69
17-1-5	38	16	27.5	8	46.5				4	0	£19.69
2-19	37	20	31.5	3.5	14	20.5	14.1/14.2	39	2	1	£11.85
2-1-10	37	20	31.5	3.5	14	20.5	12.1/12.2	39	2	1	£16.59
4-26	55	31.5	45	4.5	22				2	0	£13.21
4-1-2	60	25	44.5	5	33.5	25.4	12.1/12.2	80	2	1	£19.58
4-1-3	65	28	44.5	5	37	28	19.1/19.2	90	2	1	£26.20
30-7	37.5	16.3	25.5	4	20	15.9	12.8	50.5	2		£14.53
32-5	35	19.5	30	3	22	20	14.4/14.5	50.7	4	2	£40.16
31-1-10	34.5	15.5	28.5	7.5	12	16	8/8.2	41	6	3	£37.01
30-2	43	15.5	35	5	19	16	11.2/11.3	48	4	2	£63.90
25-7	31.5	15.8	29	7	16.5				4		£22.00

# Polybush Range List

## Top Hat Bushes & Tubes 4

Last updated April 2014



### Top Hat Dimensions

### Tube Dimensions

Part No	A Flange o/d	B Bore inner Dia	C Barrel outer dia	D Flange thickness	E Barrel Length	F Tube o/d	G Tube Bore	H Tube Length	No of Top Hats in Partset	No of Tubes in Partset	Retail Price per Partset
44-4-13	52	19.7	42	6.75	30.75	20	12.1/12.2	75	4	2	£51.11
44-1-13	35	15.2	28.9	5.25	9.75	15.9	10.4/10.6	30	6	2	£41.97
44-4-8	40	19.5	40	7	22	20	12.1/12.2	60	4	2	£41.30
44-1-22	65	21.5	45	33	58.6	22	12.1/12.2	90	2	2	£54.67
44-1-23	71	19.5	57	39.3	51.7	20	12.1/12.2	90	2	2	£58.71
44-4-16	54	19.7	38.8	9	33.5	20	12.1/12.2	83	4	2	£41.63
44-2	40	19.75	30.5	7	19	20	12.1/12.2	54	4	2	£41.81
44-4-10	52	19.7	43	6.75	30.75	20	12.1/12.2	75	4	2	£50.33
44-3-26	50	24.5	40.6	5	29	25	12.1/12.2	60	4	2	£54.60
44-3-8	60	19.5	40.8	22.5	50	20	12.2/12.3	60	4	2	£45.06
44-3-24	30	14.5	25.5	5	10	15	8.1/8.2	33	4	2	£57.73
44-3-11	60	19.5	40.8	15	40	20	14.1/14.2	45	2	2	£45.06
44-1-21	48.3	19.5	35.5	5.5	21	20	12.1/12.2	54	4	2	£54.90
44-3	55.8	19.5	45.8	6.5	21	20	12.1/12.2	54	4	2	£41.57
44-2-7	59	17.5	40.8	10.5	42.8	18	10.1/10.2	53.8	2	2	£39.60
44-4	38	17.5	28	6	16	18	10.1/10.2	47	4	2	£42.20
44-2-8	67	22.5	59	10	48	23	10.1/10.2	58	2	2	£51.02
40-5	58	18.7/18.9	47.8/48	7.8	24.5	19.05	11.2/11.3	65.9/66.1	4	2	£33.19
40-6	52	13.8	40.5	7.0/7.5	24	14	10.1/10.2	65.9/66.1	4	2	£33.19
40-7	27	11	20.7	7.75/8.25	26.25	-	-	-	4	-	£19.62
40-17	44	19.7/19.9	38.0/38.2	3	21.8	20	12.8/12.9	50.7/50.9	4	2	£33.06
40-18	58	18.7/18.9	47.8/48	3	29.5	19.05	11.2/11.3	73.9/74.1	4	2	£33.19
40-19	52	13.8	40.5	6.5/7	29	14	10.1/10.2	73.9/74.1	4	2	£33.19
40-20	27	12.5/12.75	20.7	7.75/8.25	26.25	-	-	-	4	-	£19.62
45-24	40	15.4	31.8	6.5	8.5	15.9	10.4/10.6	30	4	2	£33.03
40-2-13	37	19.7	30.2	7	20	20	12.1/12.2	54	4	2	£35.25
40-2-24	62	20.4	52	14	23	20.64	14.1/14.2	74	4	2	£56.82
40-2-23	65	24.7	50	4	30	25	16.1/16.2	68	4	2	£44.06
40-2-22	70	24.8	57	5.5	30.5	25.4	16.1/16.2	72	4	2	£50.12
4-2-5	60	29.7	48.7	4	37	30	16.3/16.5	82	2	1	£14.81
4-2-4	50	19.7	40	4.5	36	20	16.1/16.2	83	2	1	£23.52
40-2-10	80	19.7	63.4	7.4	27.6	20	12.1/12.2	70	4	2	£45.98
40-2-7	44	19.7	36.6	6.75	23.75	20	12.1/12.2	61	4	2	£34.63

